



MOBILITY 40G

4x4 MIMO 5G Ready Cellular Antenna System with GPS antenna

Features

- 4x4 MIMO 5G ready cellular antenna system with GPS antenna
- Cellular frequencies 600-6000 MHz
- B71 Support
- Durable and UV-stable housing
- Black or white color options
- IP68 rated



Overview

Antenna elements	4x LTE, 1x GPS
Cellular frequencies	0.3dBi@ 617-960MHz 5.1dBi@ 1710-2700MHz 5.8dBi@ 3400-4200MHz 7.0dBi@ 4900-6000MHz
Cellular bands	LTE bands B1 to B86 (except B31, B72, B73, B87, B88), 5G bands n1 to n99
GPS frequency bands	1.6dBi, LNA 28dB: 1561-1602MHz
IP rating	IP68
Dimensions	(Height) 1.42" / 36mm (spigot not included) (Diameter) 5.12" / 130mm
Coax cable type	CFD-200 (4G/5G, Wi-Fi) RG-174 (GPS)
Connector Type	SMA male, QMA male, N-type male

Description

The Peplink Mobility 40G is a 5G ready multi-band antenna built for land-based mobile applications. It supports 4x4 MIMO for high bandwidth and solid reliability. It is also 5G ready and supports a wide range of global cellular frequencies. The GPS antenna is equipped with high gain LNA, making it ideal for location tracking.

The Mobility 40G has a solid housing made of UV stable plastic materials. Two color options are available (black and white) to fit different deployments. For easier installation, the antenna comes with different cable length options, available in SMA, QMA or N-type.

Applications

- Public Safety and mission critical connectivity
- Mobile healthcare
- Transportation Connectivity

Contact Us

sales@peplink.com

Find a Peplink Certified Partner

<https://www.peplink.com/peplink-certified-partners/>

Mobility 40G



Specification

Cellular

Antenna elements	4 elements
Cellular frequencies	0.3dBi@ 617-960MHz 5.1dBi@ 1710-2700MHz 5.8dBi@ 3400-4200MHz 7.0dBi@ 4900-6000MHz
Cellular bands	LTE bands B1 to B86 (except B31, B72, B73, B87, B88), 5G bands n1 to n99
VSWR	< 2.5 over 85% of the band
Feed power handling	10W
Input impedance	50 Ω
Polarisation	Linear
Ground plane	Not required#

GPS

Frequency range	1561-1602 MHz
Peak gain	0.5dBi@1575MHz 1.6dBi@1602MHz
VSWR	< 2.5
Output return loss	10dB max
Gain: LNA	28 ±3dB
Noise figure	1.5dB max at 3.3V
Operating Voltage	3.3V
Power consumption	8.5 ±2.5mA at 3.3V

Cable

Type	CFD-200
Loss	0.33 dB/m @ 900 MHz 0.49 dB/m @ 2000 MHz 0.55 dB/m @ 2500 MHz 0.87 dB/m @ 5800 MHz
Diameter	13/64" / 5.0mm
Jacket	Half matt PVC, UV resistant
Termination	SMA male, QMA male, N-type male
Type	RG-174
Loss	3.4 dB/m @ 1000 MHz 4.9 dB/m @ 1800 MHz
Diameter	0.1" / 2.7mm
Jacket	Half matt PVC, UV resistant
Termination	SMA male, QMA male, N-type male

Mobility 40G

Mounting

Supported types	Panel, wall, pole
Mounting hole	1 11/16" / 43mm
Max panel thickness	19/32" / 15mm

Mechanical

Product dimensions	(Height) 1.42" / 36mm (spigot not included) (Diameter) 5.12" / 130mm
Packaged dimensions	8.90" x 8.46" x 4.29" / 226 x 215 x 109mm
Radome material	UV stable PC+ABS

Package contents

Antenna	Mobility 40G
Mounting	Mounting bracket Double sided 3M adhesive pad Diameter: 5.08" / 129mm Thickness: 0.08" / 2mm

Environmental, compliance

Cable flammability	UL 758 (VW-1)
Compliance	RoHS, REACH & WHEE
Enclosure flammability	UL 94 HB
IP rating	IP68
Operating temperature	-40° - 176°F / -40° - 80°C
Storage temperature	-40° - 176°F / -40° - 80°C
Salt Spray	MIL-STD 810F/ASTM 8117
UV resistance rating	UL 746C (F1, long-term UV exposure)
Wind Survival	220 km/h

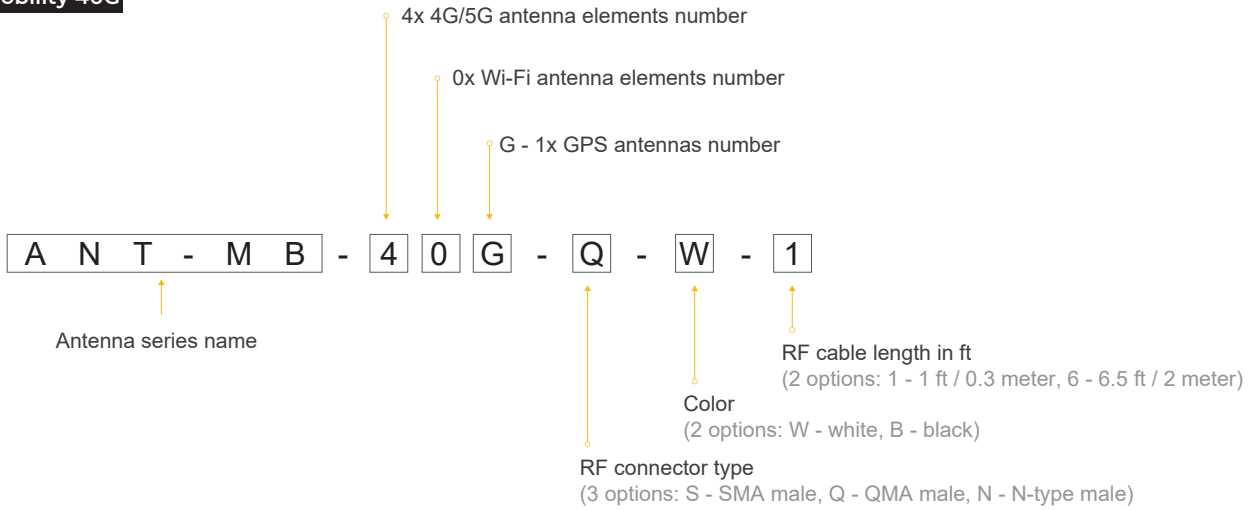
#All measurements stated in this document were obtained without a ground plane.



#All measurements stated in this document were obtained without a ground plane.

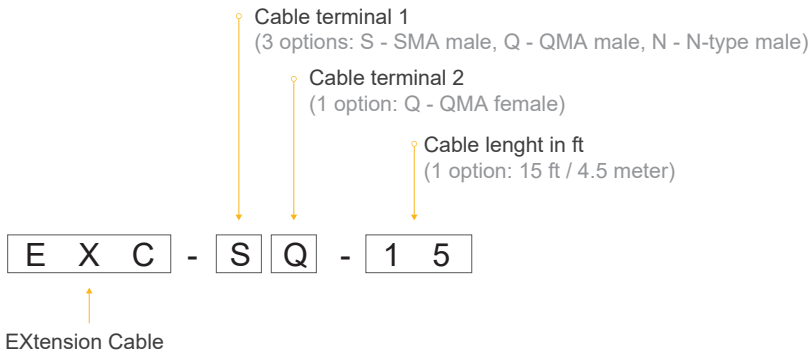
Ordering information

Mobility 40G

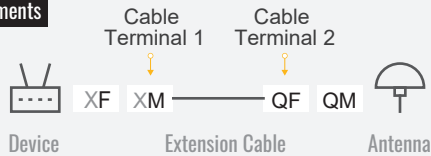


Product Code	Description
ANT-MB-40G-S-W-6	4xLTE, 1xGPS 600-6000MHz, IP68, SMA, White, 6.5ft / 2m
ANT-MB-40G-S-B-6	4xLTE, 1xGPS 600-6000MHz, IP68, SMA, Black, 6.5ft / 2m
ANT-MB-40G-Q-W-1	4xLTE, 1xGPS 600-6000MHz, IP68, QMA, White, 1 ft / 0.3m
ANT-MB-40G-Q-W-6	4xLTE, 1xGPS 600-6000MHz, IP68, QMA, White, 6.5ft / 2m
ANT-MB-40G-Q-B-1	4xLTE, 1xGPS 600-6000MHz, IP68, QMA, Black, 1 ft / 0.3m
ANT-MB-40G-Q-B-6	4xLTE, 1xGPS 600-6000MHz, IP68, QMA, Black, 6.5ft / 2m
ANT-MB-40G-N-W-6	4xLTE, 1xGPS 600-6000MHz, IP68, N-type, White, 6.5ft / 2m
ANT-MB-40G-N-B-6	4xLTE, 1xGPS 600-6000MHz, IP68, N-type, Black, 6.5ft / 2m

Extension cable



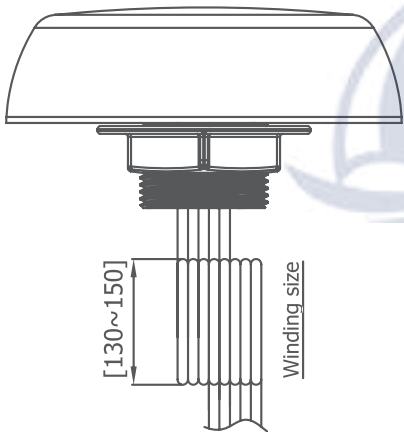
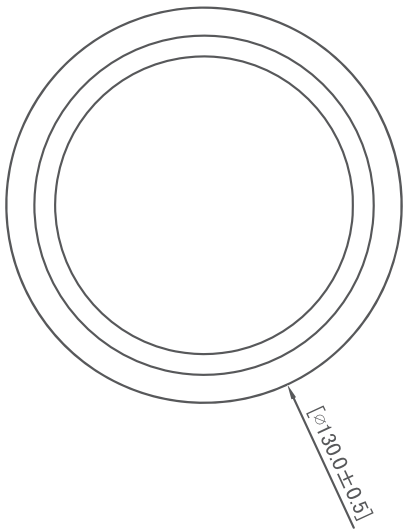
LTE/GPS elements



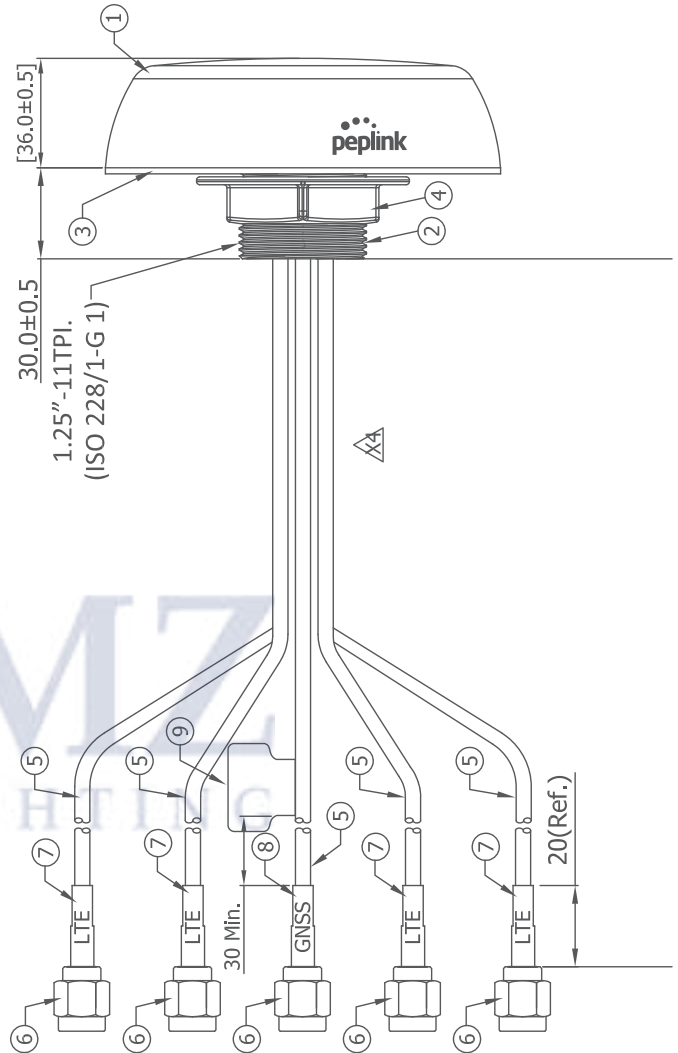
Product Code	Element type	Description
EXC-SQ-15	LTE/GPS elements	Extension coax cable, SMA male to QMA female connector, 15ft / 4.5m
EXC-QQ-15	LTE/GPS elements	Extension coax cable, QMA male to QMA female connector, 15ft / 4.5m
EXC-NQ-15	LTE/GPS elements	Extension coax cable, N-type male to QMA female connector, 15ft / 4.5m

Mobility 40G

Technical drawing



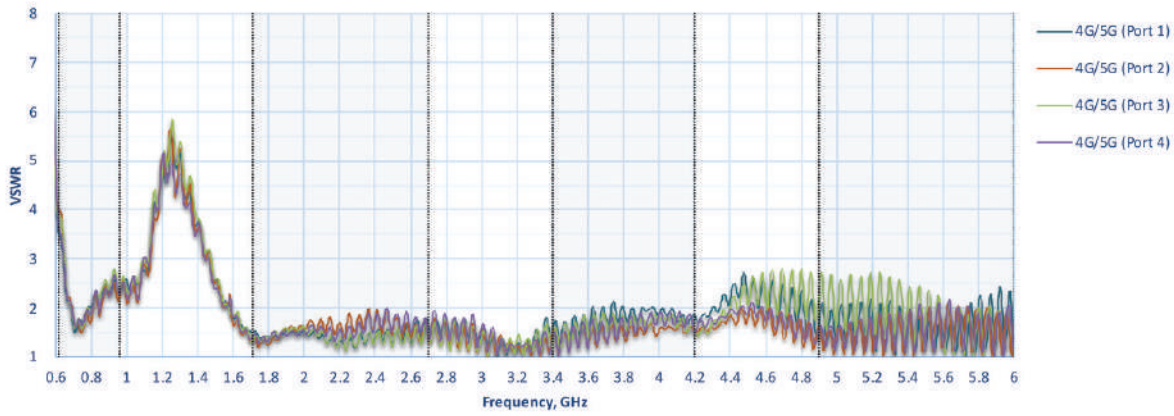
Mobility 40G



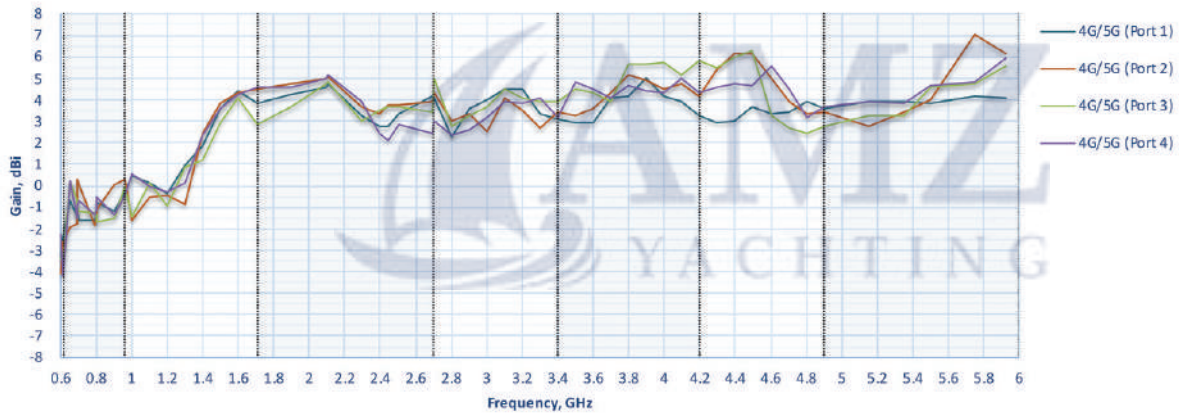
Index

No.	Description	Qty
1	Antenna top cover (PC+ABS)	1
2	Antenna bottom cover (PC+ABS)	1
3	Double sided 3M adhesive pad	1
4	Hexagon NUT (PC+ABS)	1
5	Cable CFD-200 (4G/5G)	5
6	4G/5G, GPS antenna connector	5
7	LTE cable marking	4
8	GPS cable marking	1
9	Label	1

Cellular Antenna VSWR

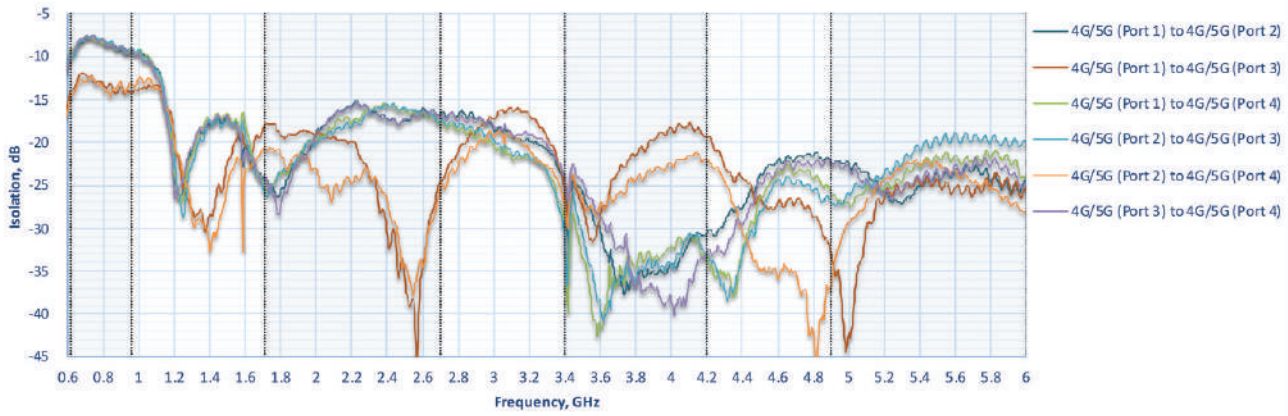


Cellular Antenna Gain

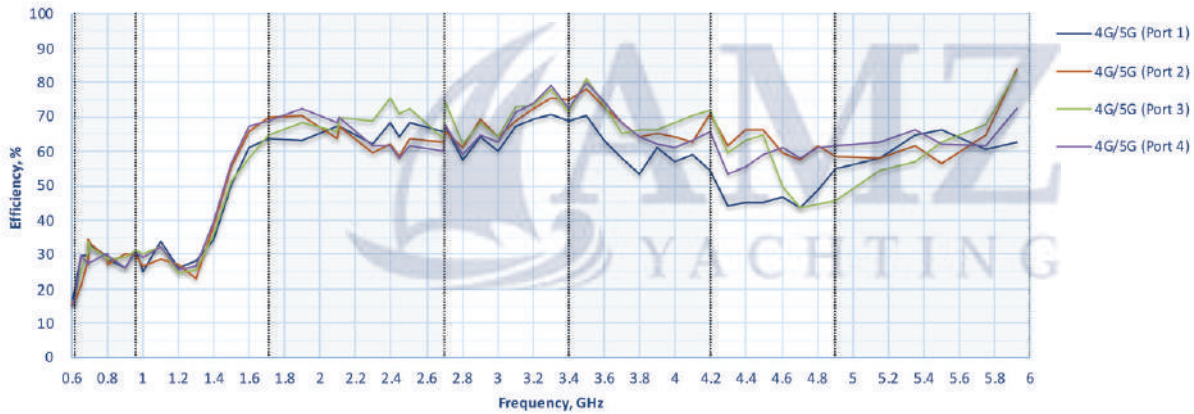


Mobility 40G

Cellular Antenna Isolation

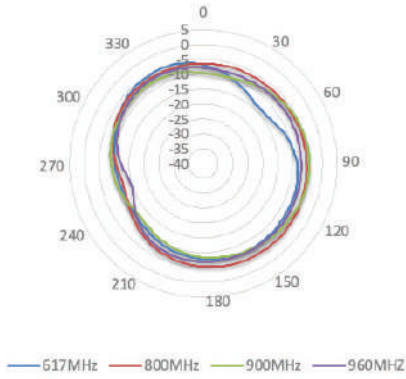


Cellular Antenna Efficiency

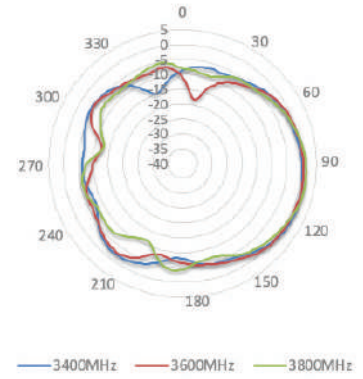


Radiation patterns (Azimuth)

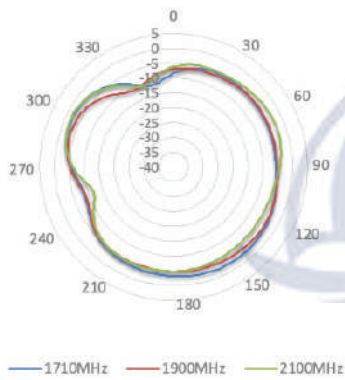
617-960 MHz



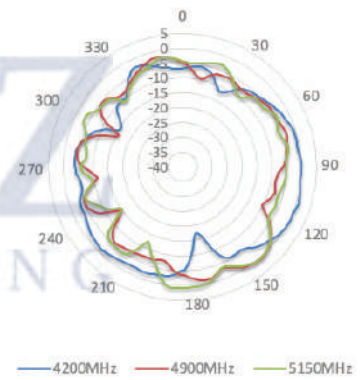
3400-3800 MHz



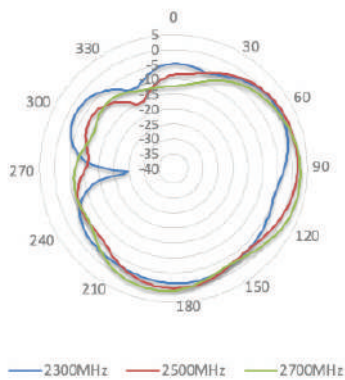
1710-2100MHz



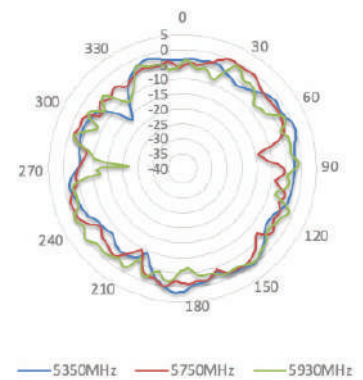
4200-5150 MHz



2300-2700 MHz



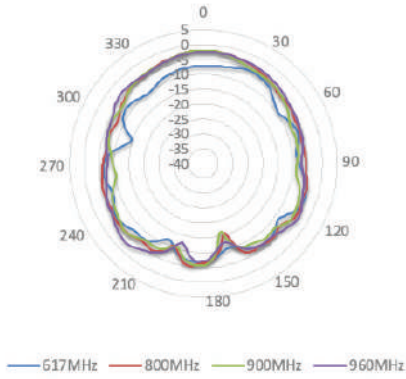
5350-5925 MHz



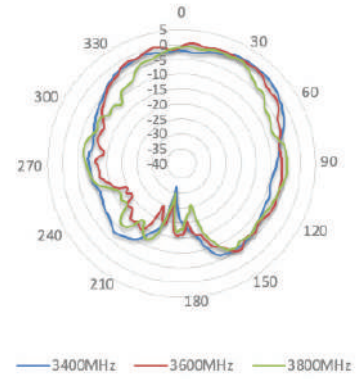
Mobility 40G

Radiation patterns (Elevation 1)

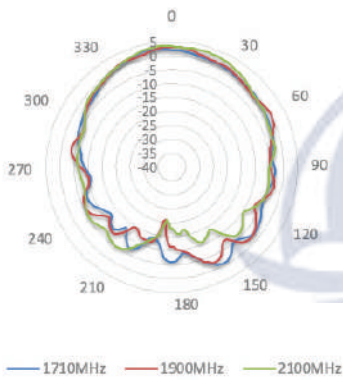
617-960 MHz



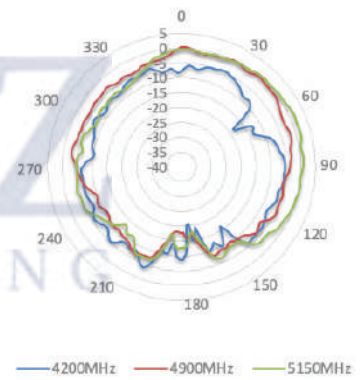
3400-3800 MHz



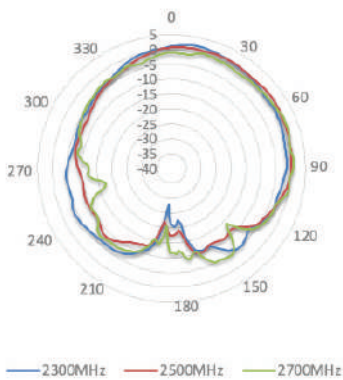
1710-2100MHz



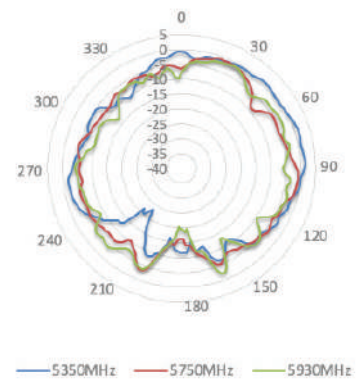
4200-5150 MHz



2300-2700 MHz



5350-5925 MHz

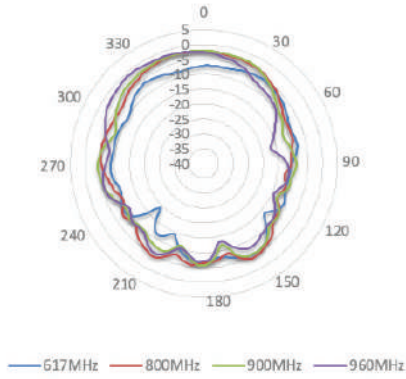


Mobility 40G

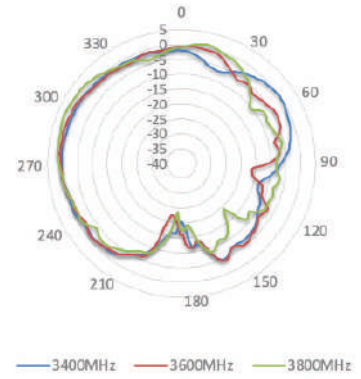
Radiation patterns (Elevation 2)

Mobility 40G

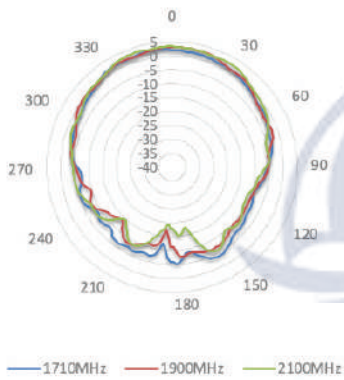
617-960 MHz



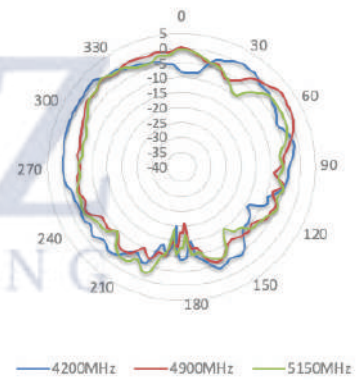
3400-3800 MHz



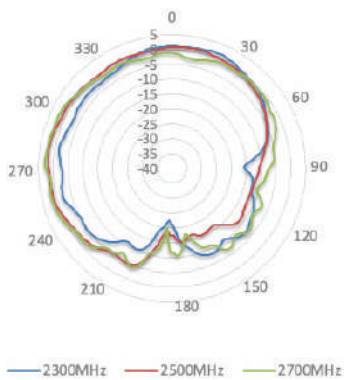
1710-2100MHz



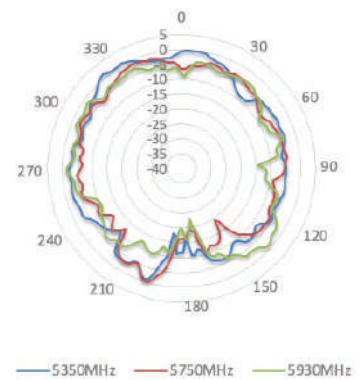
4200-5150 MHz



2300-2700 MHz

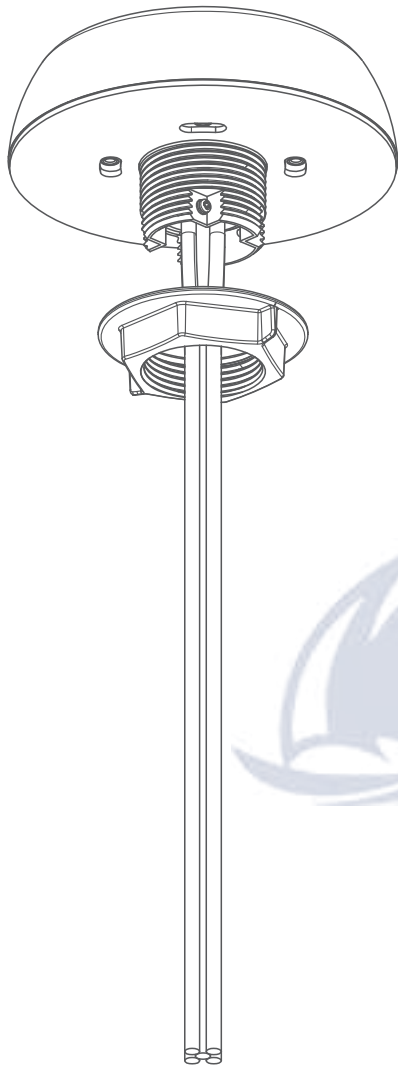


5350-5925 MHz

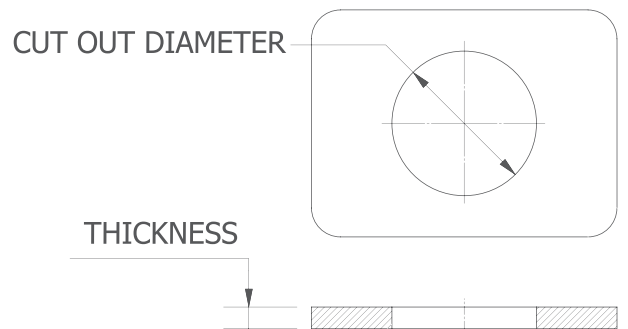


Installation recommendation

Panel Mount



Mobility 40G

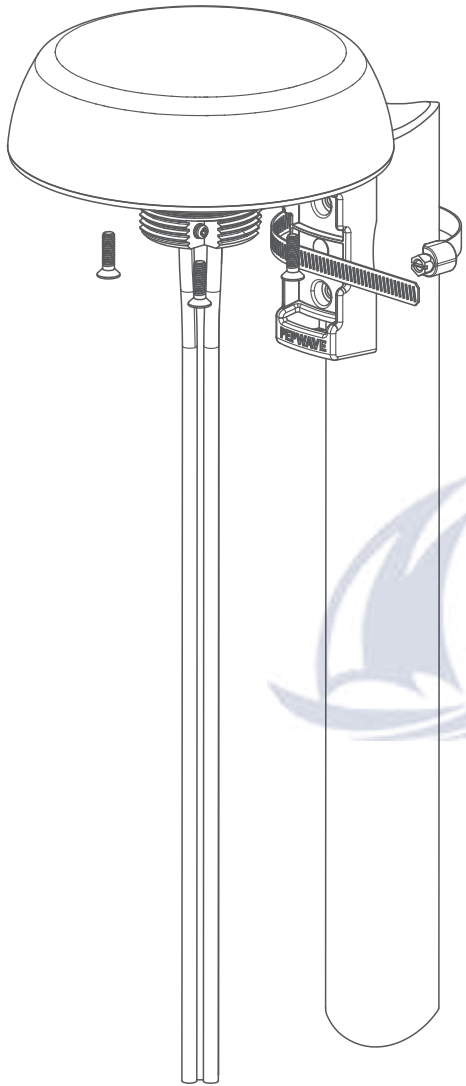


Notes

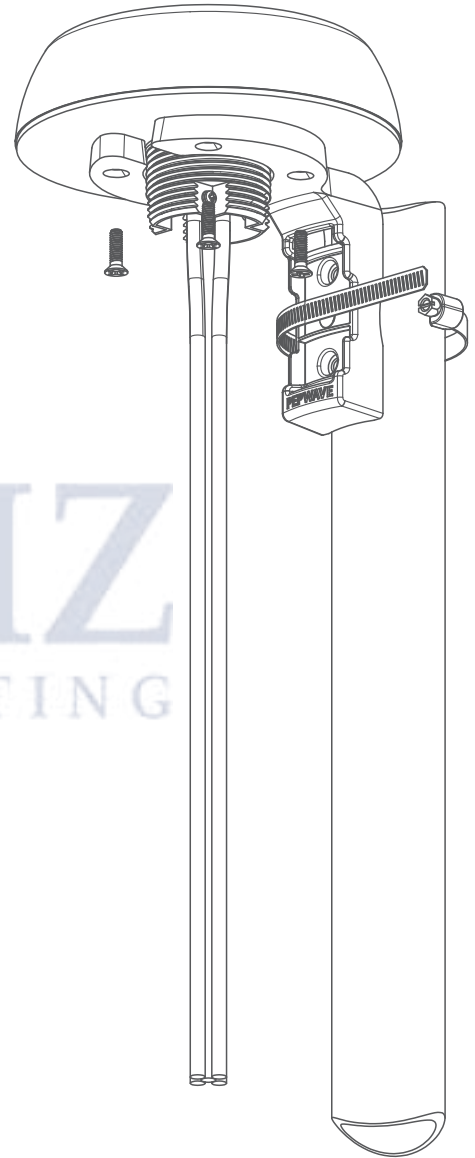
- Cover panel surface to protect the paint work. When drilling a hole, start with a small one, then increase it.
- Cut out diameter should be 1 11/16" / 43mm.
Maximum allowed panel thickness - 15mm.
- After a drill clean up the surface and apply some paint around the hole to prevent corrosion. Attach the antenna.

Installation recommendation

Pole Mount

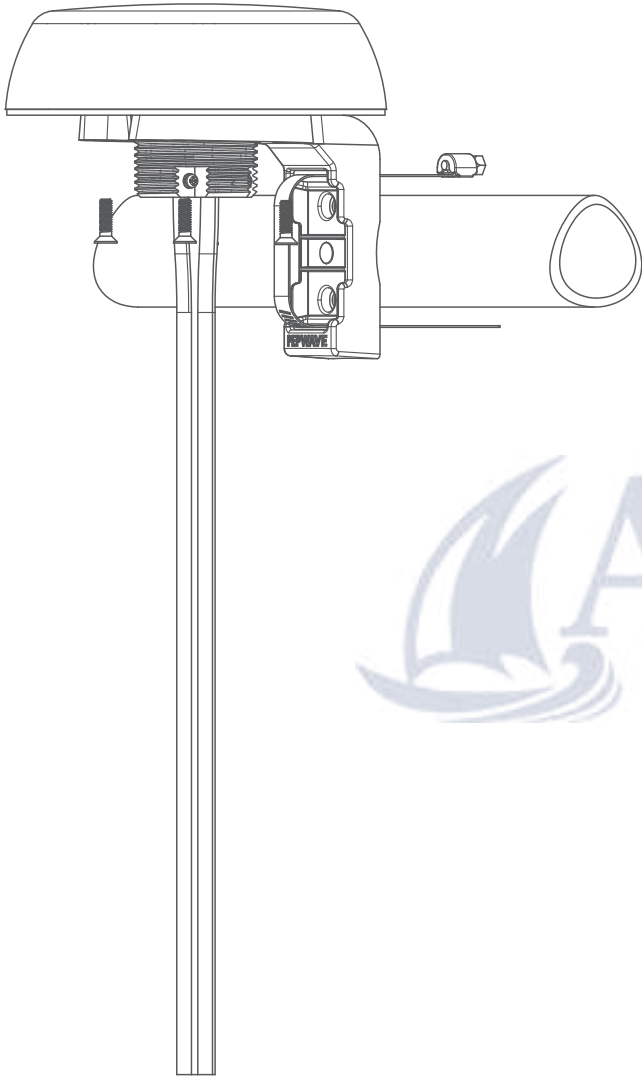


Mobility 40G

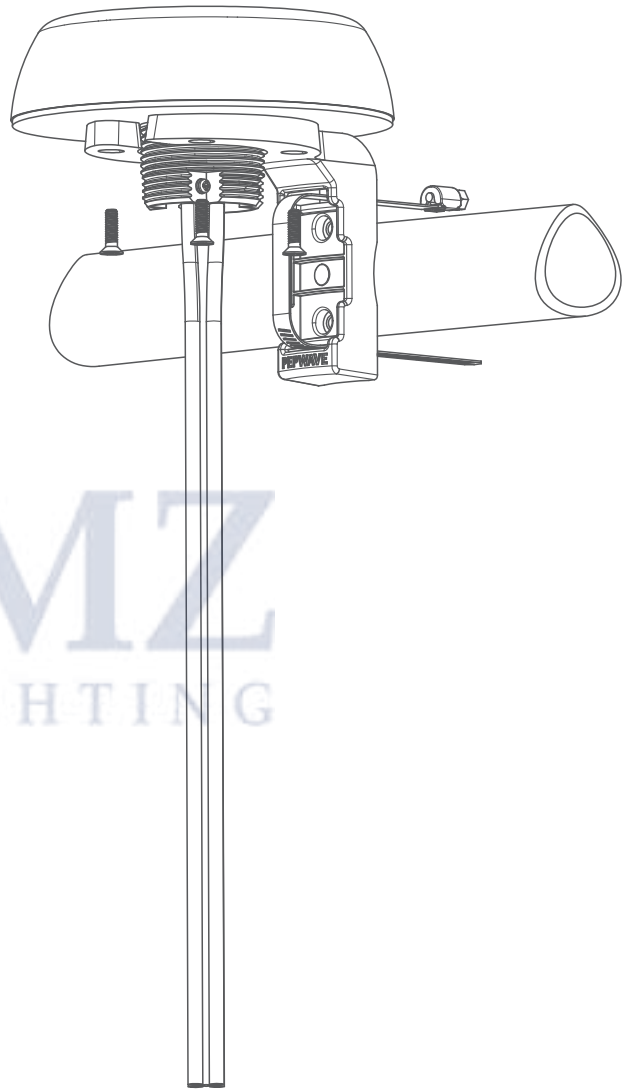


Installation recommendation

Horizontal Pole Mount



Mobility 40G



Installation recommendation

Wall Mount

Mobility 40G

